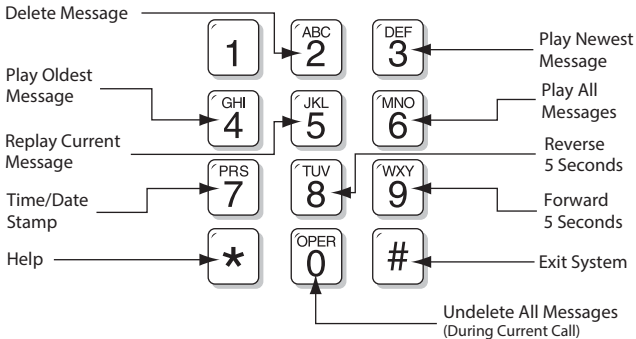


# VOICE MESSAGING USER'S GUIDE



# HOW TO USE VOICE MESSAGING

1. Call your PAGER number

2. When you hear your greeting, IMMEDIATELY press



3. Enter your access code

FOR MAIN MENU FUNCTIONS, REFER TO THE REVERSE SIDE

## GENERAL FUNCTION COMMANDS

- ▶ **1 0** Return to main menu
- ▶ **\*** For help

## **1 7** TO CHANGE ACCESS CODE

- ▶ **3** + New code (4 to 8 digits) + **#**
- ▶ **4** To hear new code

## **1 1** TO CHANGE CUSTOM GREETING

- ▶ **3 0** Begin recording
- ▶ **1** End recording
- ▶ **4 0** Playback greeting

## **1 4** TO SELECT NUMERIC RETRIEVAL MENU

- ▶ **2** To delete message
- ▶ **3** Play newest message
- ▶ **4** Play oldest message
- ▶ **5** Replay current message
- ▶ **6** Play all messages
- ▶ **7** Time & date stamp

## **1 3** TO SELECT MESSAGE FORWARDING MENU

- ▶ **4** Restore original message
- ▶ **5** Play message
- ▶ **6** Forward message
- ▶ **7** Prepend message
- ▶ **8** Record new message
- ▶ **9** Append message

NATIONAL CUSTOMER SERVICE CENTER

# 800-344-1004

**USAMOBILITY**<sup>™</sup>  
ONE SOURCE FOR WIRELESS